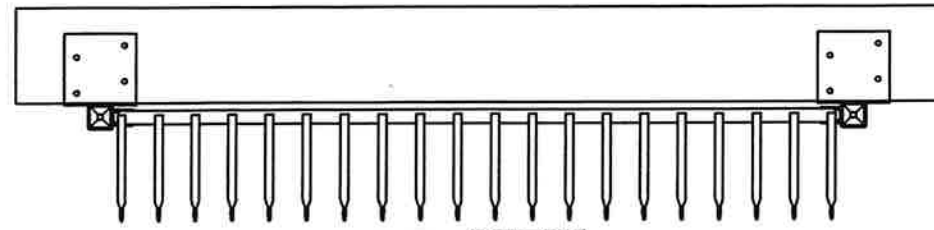
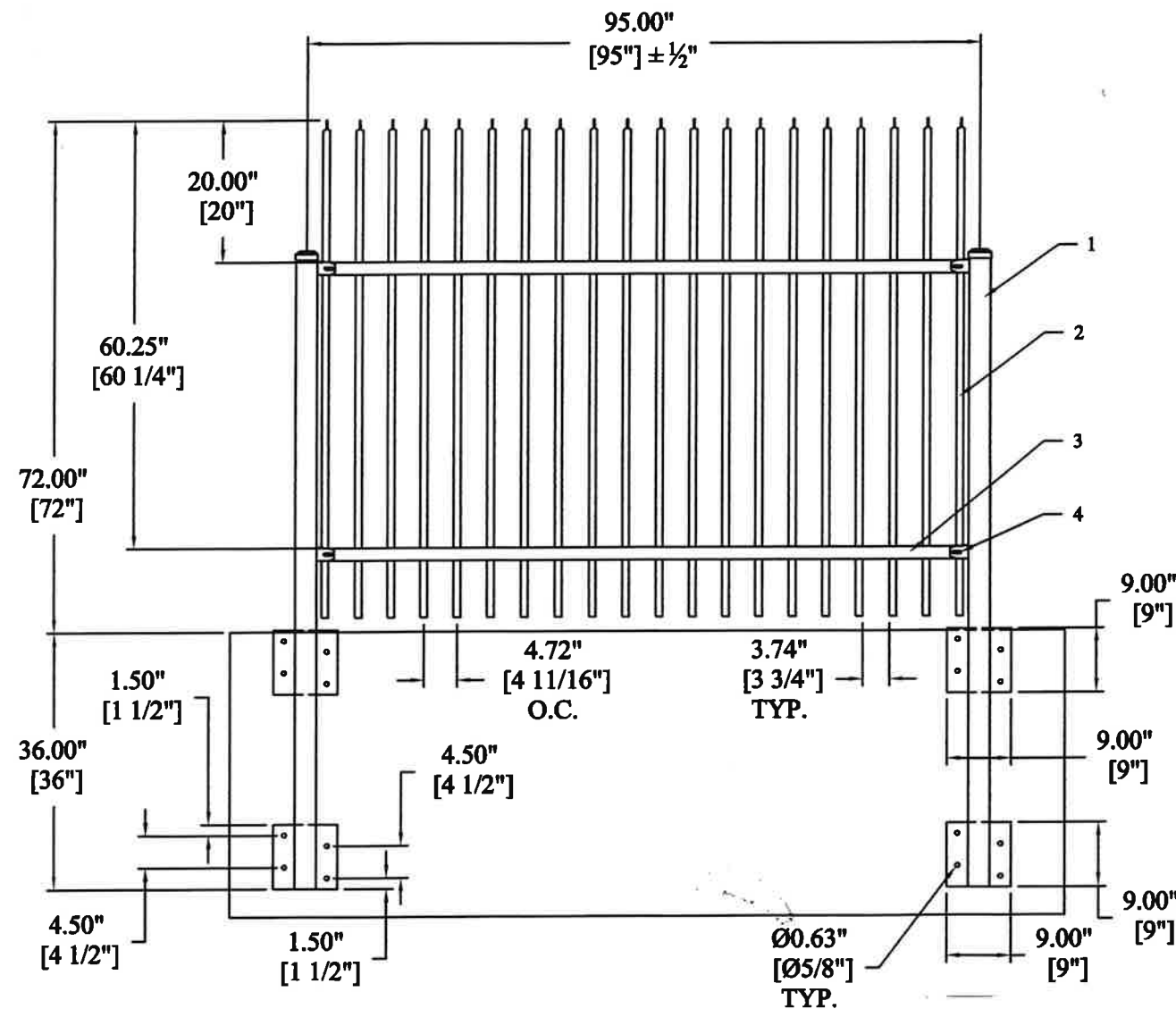


# Exhibit 1

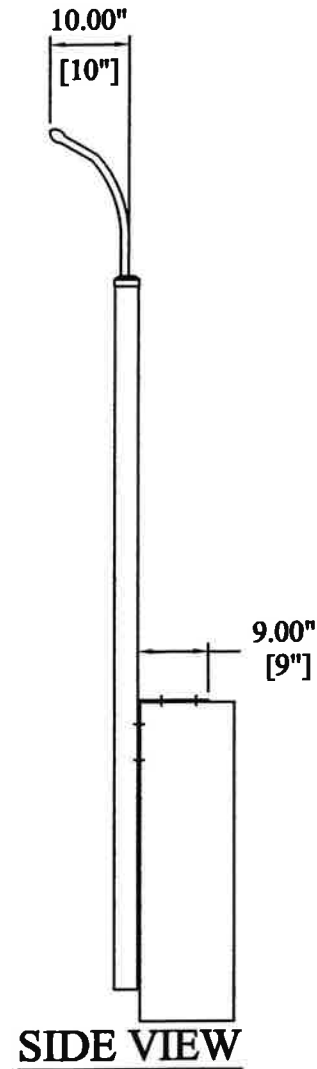
#	DESCRIPTION
1	3" SQ SIDE PLATED POST (9" X 9" X 1/4")
2	1" SQ X 14GA PICKETS
3	1 1/2" SQ X 12GA CHANNEL RAIL
4	BX301 BRACKET



**TOP VIEW**



**ELEVATION VIEW**



**SIDE VIEW**

These plans are for conceptual purposes only and are not to be used for construction. Please contact your manufacturer's representative for a complete set of fence/safety barrier design plans.

## Exhibit 1

Fence/safety barrier conceptual design for the top level of the parking Garage.