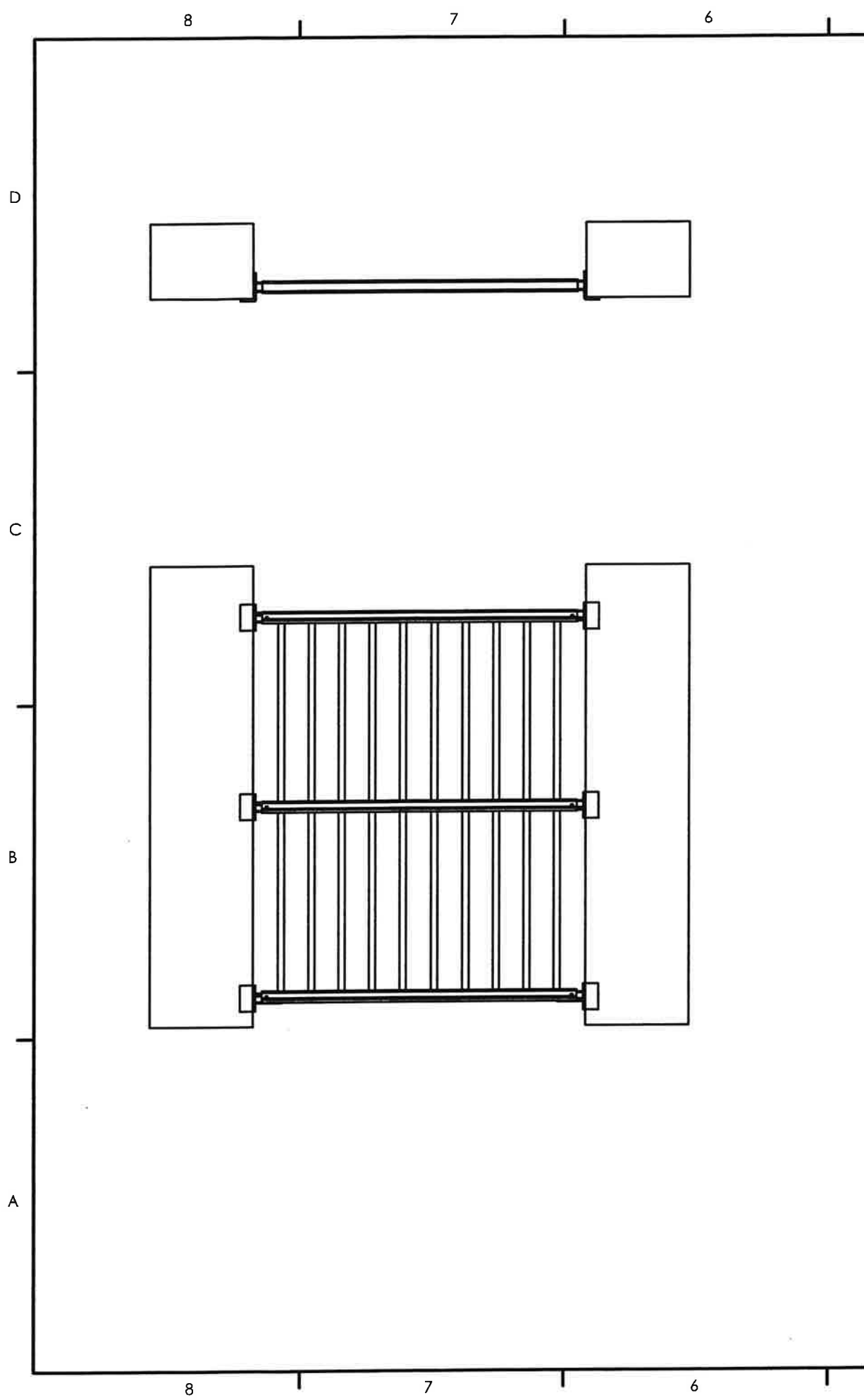
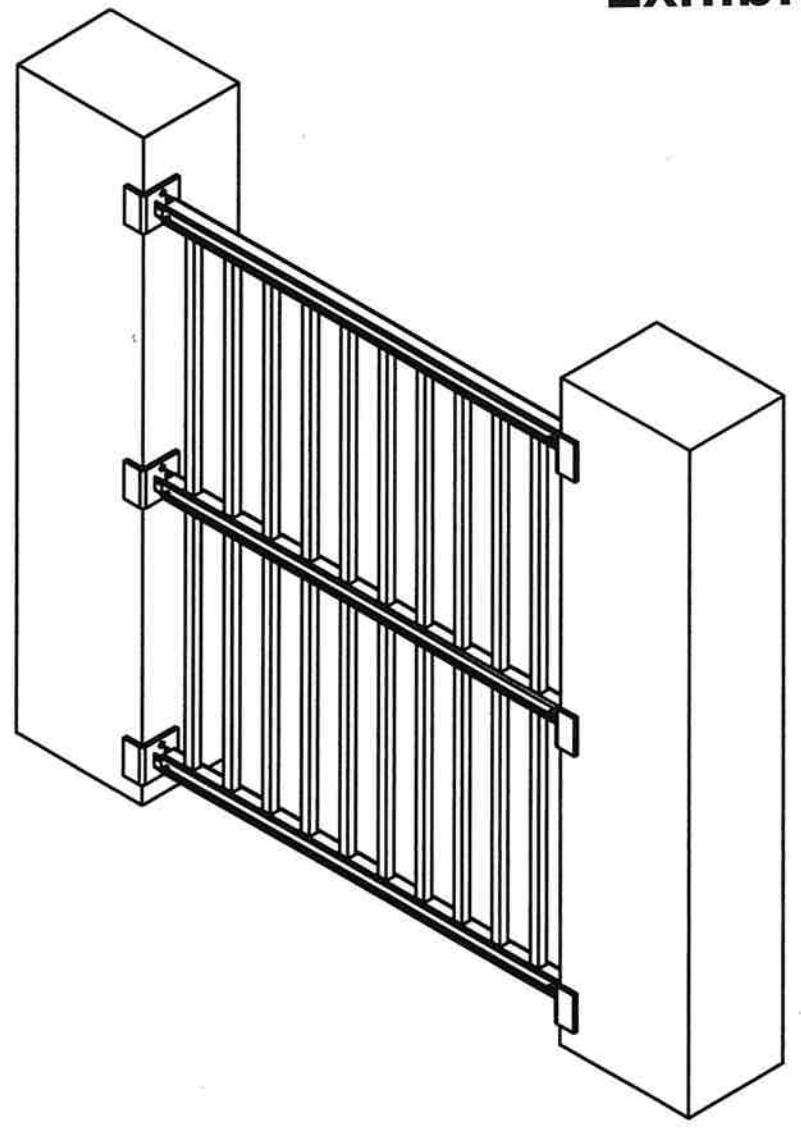


REV	DESCRIPTION	DATE	ENGINEER



## Exhibit 2



These plans are for conceptual purposes only and are not to be used for construction. Please contact your manufacturer's representative for a complete set of fence/safety barrier design plans.

### Exhibit 2

Fence/safety barrier conceptual design for the stair wells of the parking Garage.